



CAST IRON PULP VALVE PILLAR TYPE

PRODUCT DESCRIPTION

- **Product** : 'PRESSURE' Cast Iron Pulp Valve
- **Type of Pattern** : Pillar Type
- **Body Material cum Standard** : Cast Iron IS:210 Gr.FG200
- **Description** : Knife Edge Type plate, outside screw rising stem
- **Type of Seat** : SS AISI304 Plate
- **Steam** : SS AISI410, GM IS:318 Gr.LTB2 - Yoke Bush
- **Gland Packing** : Lubricated Asbestos
- **End Details** : Suitable for Flanges as per BS 10 Table D

TESTING & CERTIFICATION

- **Body Test Pressure** : 300 Psig Hyd.
- Our Works' Test Certificate is furnished with every supply.

DIMENSIONS (IN MM)

Nominal Size	Nominal Size (Inches)	F	H	ØD	ØW
50	2	46	310	95	180
80	3	48	365	127	210
100	4	49	385	145	210
125	5	50	435	178	210
150	6	53	485	208	210
200	8	54	530	250	210
250	10	75	670	303	270
300	12	75	700	350	270
350	14	85	850	407	340
400	16	90	1050	480	440

MATERIALS OF CONSTRUCTION

Components	Materials	Specifications
Body, Gland, Cover, Handwheel, Bridge	Cast Iron	IS:210 Gr.FG200
Sleeve	Gun Metal	IS:318 Gr.LTB2
Stem	Stainless Steel	AISI410
Pillar	Mild Steel	--
Gland Packing	Asbestos	--
Plate	Stainless Steel.	AISI304
Gasket	C.A.F	IS:2712
Bolts & Nuts	Mild Steel	--

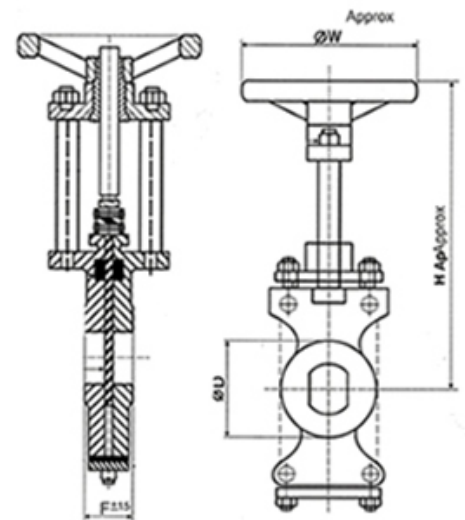
Notes : 1. Product images are for illustration purposes only. Actual product may vary.

2. Actual dimensions may change over time, due to continual design improvements. Please confirm before placing order.

HSN 84818030

APPLICATION

Water	Oil	Gas	Steam
-------	-----	-----	-------



Reg. Office : 9, Amar Asha Society, Nr. Ramvadi Bus Stop, Isanpur, Ahmedabad-382443. Gujarat, India. **Ph.** : +91 7490034801, 9824334801

Factory & Correspondence Address : 16, Ambica Industrial Estate, Nr. Vatva Railway Over Bridge, Vatva, Ahmedabad-382440, Gujarat, India.

Ph. : +91 8320479614, 6354226326 **E-mail** : info@pressurevalves.in, marketing@pressurevalves.in **Web** : www.pressurevalves.in