



PRESSURE BRAND CAST STEEL GLOBE VALVE FLANGED, CLASS-150 (IBR APPROVED)

PRODUCT DESCRIPTION

- **Product** : 'PRESSURE' Cast Steel Globe Valve
- **Product Standard** : BS 1873
- **Pressure / Class / Rating** : Class 150
- **Body Material cum Standard** : CCS (ASTM A216 Gr.WCB)
- **Description** : Bolted Cover, Outside Screw & Yoke Type, Rising Stem
- **Type of Seat** : Renewable seat
- **Type of Disc** : Renewable disc Trim : Stem SS AISI-410
- **Yoke Bush** : Aluminum Bronze
- **Gland Packing** : Expanded Pure Flexible Graphite
- **End Details** : Flanges as per ANSI B 16.5 Class 150 R.F. drilled

HSN 84818030

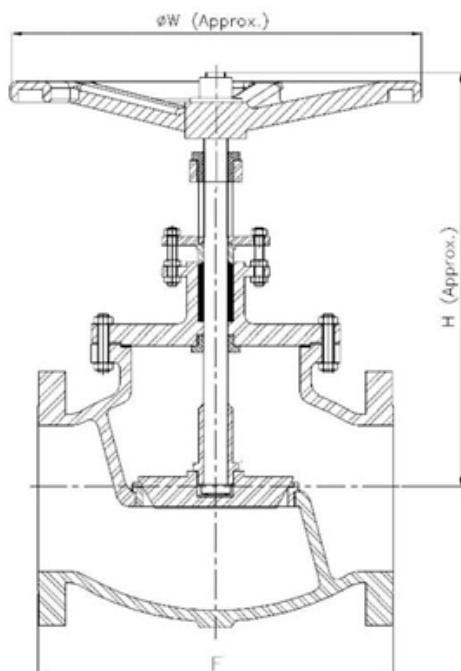
APPLICATION

Water	Oil	Steam
-------	-----	-------

TESTING & CERTIFICATION

- **Body Test Pressure** : 32 Bar g (435 Psig) Hyd.
- **Seat Test Pressure** : 22 Bar g (320 Psig) Hyd. & 6.9 Bar g (100 Psig) Air
- **Tested as per** API 598 / ANSI B16.34 / BS : 6755 Part 1
- **Maximum Working Temperature**: 400°C

Test Certificate in Form III-C as per IBR is furnished with every supply.



Reg. Office :9, Amar Asha Society, Nr. Ramvadi Bus Stop, Isanpur, Ahmedabad-382443. Gujarat, India. **Ph.** : +91 7490034801, 9824334801

Factory & Correspondence Address : 16, Ambica Industrial Estate, Nr. Vatva Railway Over Bridge, Vatva, Ahmedabad-382440, Gujarat, India.

Ph. : +91 8320479614, 6354226326 **E-mail** : info@pressurevalves.in, marketing@pressurevalves.in **Web** : www.pressurevalves.in

Approved by



MANUFACTURER OF INDUSTRIAL VALVES AND GEARS



PRESSURE BRAND CAST STEEL GLOBE VALVE FLANGED, CLASS-150 (IBR APPROVED)

MATERIALS OF CONSTRUCTION

Components	Materials	Specifications
Body, Bonnet, Gland Flange	Cast Carbon Steel	ASTM A216 Gr.WCB
Gasket	CAF	BS:1832
Gland Packing	Expanded Pure Flexible Graphite	—
Handwheel	Malleable Iron / C.I.	IS:14329
Body Rings, Gland Follower, Stem, Locking Screws	Stainless Steel	AISI-410
Gland Bolting	Carbon Steel	UTS 392 N/mm ²
Bolts	Alloy Steel	ASTM A193 Gr.B7
Nuts	HT Steel	ASTM A194 Gr.2H
Yoke Bush	Al Bronze	—

DIMENSIONS (IN MM)

Nominal Size	Nominal Size (Inches)	F	H (Approx.)	W	D	T	R
25	1	127	255	125	110	11.6	50.8
32	1.1/4	140	265	125	115	13.2	63.5
40	1.1/2	165	270	160	125	14.7	73
50	2	203	290	160	150	16.3	92.1
65	2.1/2	211	355	200	180	17.9	104.8
80	3	241	380	200	190	19.5	127
100	4	292	420	250	230	24.3	157.2
150	6	406	515	315	280	25.9	215.9
200	8	495	610	400	345	29	269.9
250	10	622	620	450	405	30.6	323.9
300	12	698	720	500	485	32.2	381

Notes : 1. Product images are for illustration purposes only. Actual product may vary.

2. Actual dimensions may change over time, due to continual design improvements. Please confirm before placing order.

Reg. Office : 9, Amar Asha Society, Nr. Ramvadi Bus Stop, Isanpur, Ahmedabad-382443. Gujarat, India. **Ph. :** +91 7490034801, 9824334801

Factory & Correspondence Address : 16, Ambica Industrial Estate, Nr. Vatva Railway Over Bridge, Vatva, Ahmedabad-382440, Gujarat, India.

Ph. : +91 8320479614, 6354226326 **E-mail :** info@pressurevalves.in, marketing@pressurevalves.in **Web :** www.pressurevalves.in

Approved by
NSIC
एन एस आई सी

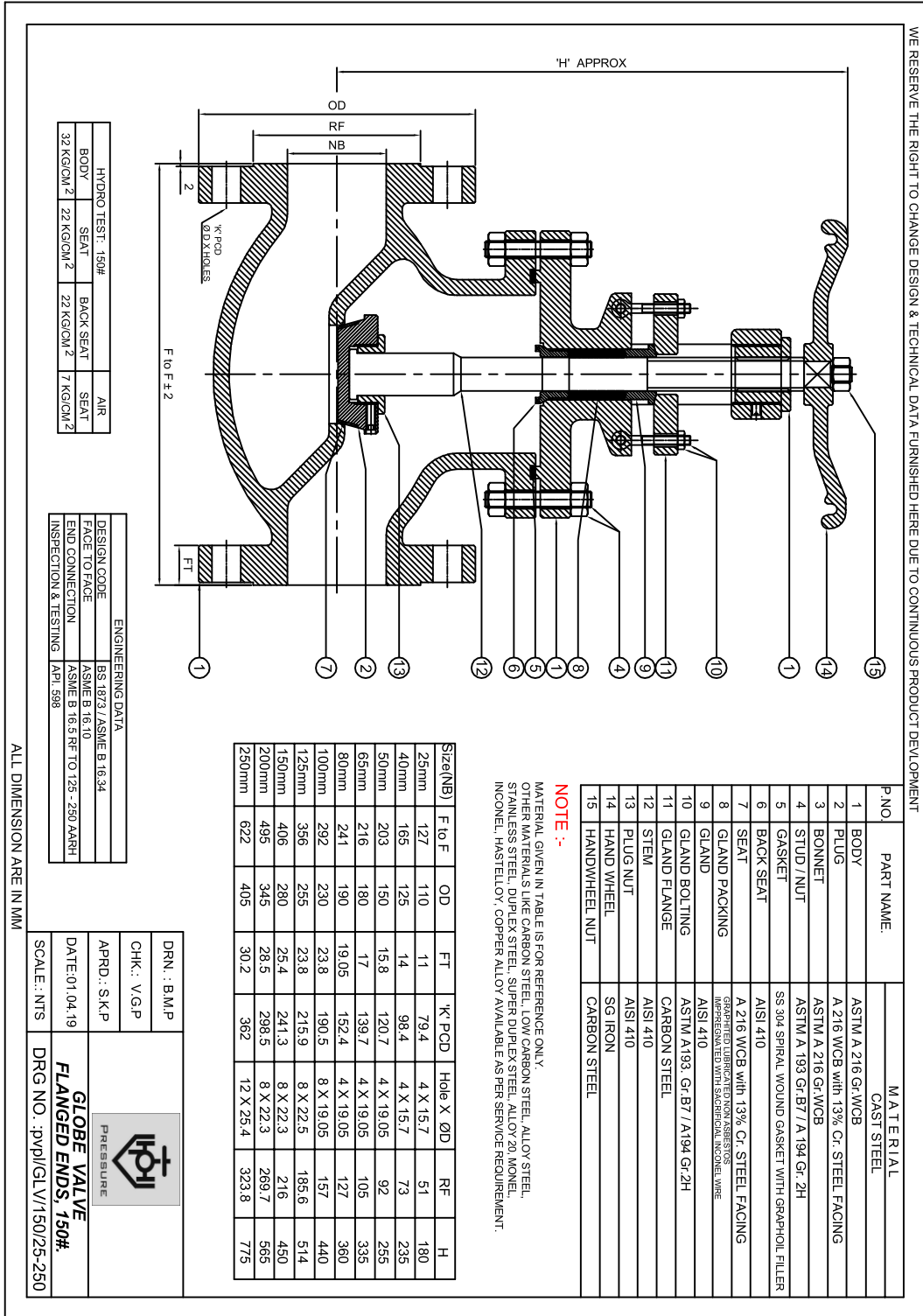


IBR
Approved

MANUFACTURER OF INDUSTRIAL VALVES AND GEARS



PRESSURE BRAND CAST STEEL GLOBE VALVE FLANGED, CLASS-150 (IBR APPROVED)



Reg. Office : 9, Amar Asha Society, Nr. Ramvadi Bus Stop, Isanpur, Ahmedabad-382443. Gujarat, India. Ph. : +91 7490034801, 9824334801
 Factory & Correspondence Address : 16, Ambica Industrial Estate, Nr. Vatva Railway Over Bridge, Vatva, Ahmedabad-382440, Gujarat, India.
 Ph. : +91 8320479614, 6354226326 E-mail : info@pressurevalves.in, marketing@pressurevalves.in Web : www.pressurevalves.in

